

Y5 4K Solar Powered Dual Linkage PTZ Intelligent Security Camera



4K
ULTRAHD

4G/WiFi

- UHD 4K 2880 X 5120P video quality
- Outdoor Waterproof
- 6W Solar ETFE panel charge
- PTZ Pan:355 Tilt:90
- Built in 20000mah battery
- Built in IR and white LED
- Support WIFI & 4G
- Get fast push notification with PIR
- Support 6MM /4X/10X ZOOM
- Two way audio
- Built in double sensor Camera Linkage 120° overall camera & 75° PTZ camera
- TF card&Cloud storage recording
- Equipped with flood light and siren alarm
- Multiple installation modes

Working Principle

The camera adopts a low power working system and defaults to the low power consumption mode, this mode does not need to supply power, WiFi version only needs to connect WiFi network, 4G version can work in the environment without power and network.

Normal Mode Working Principle: The camera is completely wire-free, use solar photoelectric conversion and built-in 20000mah battery to provide the camera power and maintain it working. In normal mode, the camera stays in sleep state, but it can be instantly awakened through the real-time monitoring feature on the user's mobile phone. When someone passes by, the camera can start the monitoring recording within 0.2 seconds and push the image to the user's mobile app.

All Time Mode: The camera is connected to the power supply and has a built-in battery as a backup power source. It can operate for 24 hours in case of a power outage. In the all time mode, the camera is 24hrs recording.

Dual Lens Linkage Principle of Operation: the camera is a dual-camera single processor linkage work, the upper camera is a wide-angle 120-degree camera, the lower camera is a near-focus camera, during working, the upper wide-angle camera is for global monitoring, the lower PTZ camera is for details monitoring, when the upper camera detects the human shape, the lower camera will follow it automatically, effectively capture both global and detailed image synchronously, also effectively cope with the monitoring scene of multiple target intrusion.

Module Specification

DSP:	1.2GHz Dual-core	
Sensor:	Sc4653 * 2	
Communication Module:	Wi-Fi: 2.4G WIFI-6 4G: CAT4 Qualcomm	
Solar Panel:	Monocrystalline Silicon ETFE	
Battery:	Panasonic 21700 * 4	
Fill Light Power :	IR Light: 0.2W*12 White Light: 1W*6	
Antenna:	SMA 5DB	
Audio Module :	Speaker: 4Ω 2W	Microphone: 38dB

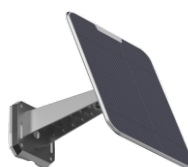
Model list

Y5-	WIFI-6MM	WIFI 2.5MM+6MM Fixed Lens	-EAU Europe & Australia -AM North America -LA Latin America -CN China -JP Japan
	WIFI-4X	WIFI 2.5MM+4X Optical	
	WIFI-10X	WIFI 2.5MM+10X Optical	
	4G-6MM	4G 2.5MM+6MM Fixed Lens	
	4G-4X	4G 2.5MM+4X Optical	
	4G-10X	4G 2.5MM+10X Optical	

PARAMETERS

Model	Y5
Resolution	4MP+4MP Dual HD CMOS sensors
IR Distance	5-40M
White Light	can light up an area of 50 square meters
Wide-angle Lens	2.5mm/120°wide-angle lens (Manually adjust Pan180°/Tilt15°)
PTZ Lens	6mm lens/2.8-12mm 4X Optical zoom/5-50mm 10X Optical zoom optional
PTZ Spec	Pan:355°/Tilt:90°, 30°/S
On-board Storage	Support max128G
Cloud Storage	Support Max 30 days storage
Intelligent Analysis	2TOPS, support human, animal and vehicle identification
Audio Input	Built-in 38db microphone
Audio Output	4Ω2W
Recording Mode	All day recording, alarm recording
Video Compression	H.265
WIFI Module	4G version: LTD FDD WCDMA (The frequency bands refers to the parameters of each version) WIFI vesion: 2.4GHz 802.11b/g/n Wireless network
System Configuration	Software version IOS 7.1, Android 4.0 and above
Material	Plastic with metallic paint
Battery	20000mah(21700-5000mah*4PCS)
Solar Panel	6W ETFE
Working Temperature	-15°-55°
Power Adapter	5V2A

Optional Accessory SL-C 6W Extra Solar Panel



Output:	DC / 6V 6W
Material:	Monocrystalline silicon
Cable:	2.5Meter
Connector:	Circular Connector 1-2
Size:	21.5CM*16CM
Weight:	450g
Package:	21.5CM*16CM

Application Intro



APP.NICEVIEWER.COM



Mobile phone

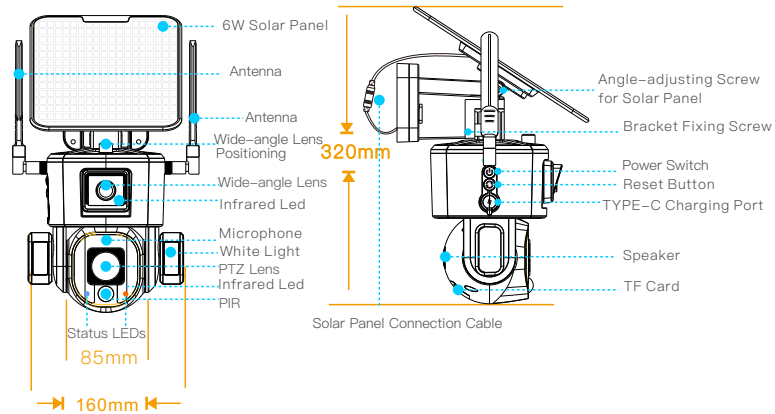


PAD



PC Control

Appearance description Product size chart (mm)



Color box

295x195x188mm



Carton

605 x 505 x395mm

Certifications



CE EMC



CE RED



FCC



ROHS



MSDS



UN38.3

Package

Product size	320*160*85mm(L*W*H)
Package size	295*195*188mm(L*W*H)
Carton size	605 x 505 x395mm (10pcs/carton)
Weight	N.G ≤1.5KG G.W ≤2KG
Installation method	wall or ceiling mounted installation
Power :	DC5V2A optional
Bracket	Standard configuration

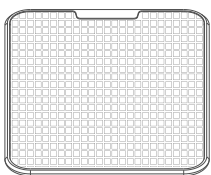
4G Frequency Bands

Regarding 4G versions, we will adapt the 4G versions for different countries according to the local frequency bands, find the corresponding bands list for each as below

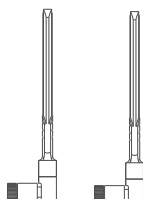
Region	Frequency Bands
EAU Europe & Australia	FDD:B1/3/5/7/8/20/28 TDD:B38/40/41 WCDMA:B1/5/8 GSM:850/900/1800Mhz FDD:B1/3/5/7/8/20 TDD:B38/40/41 WCDMA:B1/5/8 GSM:850/900/1800Mhz
AM North America	FDD:B2/4/5/12/13/17/66/71 WCDMA:B2/4/5
LA Latin America	FDD:B1/2/3/4/5/7/8/28/66 TDD:B38/40 WCDMA:B1/2/5/8 GSM:850/900/1800/1900Mhz

Region	Frequency Bands
CN/AS China&Asia	LTE FDD: B1/B3/B5/B8 LTE TDD:B34/B38/B39/B40/B41 WCDMA: B1/B5/B8
JP Japan	FDD:B1/3/5/7/8/20/28 TDD:B38/40/41 WCDMA:B1/5/8 GSM:850/900/1800Mhz

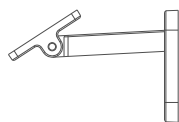
Accessories



1 Solar Panel



2 Antenna



3 Solar Panel Bracket



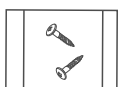
4 TYPE-C Charging Cable



5 Hexagon Wrench



6 Iron Wall Bracket



7 Screw Packs